



## 10 SERIES

- Meets current standards for 3A and ASME BPE-2009
- Compact size for space restricted applications
- Wide variety of ranges from vacuum to 600 psi
- Process temperatures up to 300°F (150°C)
- Gauge size 2 inch, Clamp size 3/4 inch
- Case and cover ring are electropolished Stainless steel for exceptional corrosion resistance, complemented with a polycarbonate lens
- Tri-Clamp® housing and diaphragm are constructed from 316L Stainless steel with wetted surfaces electropolished to Ra25 or better
- 316L Stainless steel socket is welded to the Tri-Clamp® process connection for greater strength and durability
- C.I.P, S.I.P and Autoclave\* for the demanding needs of the sanitary market

\*Only dry case gauges are recommended for Autoclave

### APPLICATIONS

- Food & beverage
- Dairy
- Pharmaceutical
- Biomedical

### SPECIFICATIONS

<b>Case</b>	2" Electropolished 304 Stainless steel
<b>Cover Ring</b>	Electropolished 304 Stainless steel
<b>Lens</b>	Polycarbonate
<b>Bourdon Tube</b>	316 Stainless steel
<b>Socket</b>	316L Stainless steel welded to process connection
<b>Movement</b>	Stainless steel
<b>Accuracy</b>	±2.5% Full Scale, ANSI grade B
<b>Pointer</b>	Aluminum, black finish
<b>Dial</b>	Aluminum, white background, black print
<b>Process Connection</b>	3/4" Tri-Clamp® sanitary seal
<b>Seal Housing Material</b>	316L Stainless steel
<b>Diaphragm Material</b>	316L Stainless steel, electropolished to Ra25 or better
<b>Fill Fluid</b>	Glycerine, USP grade
<b>Media Temperature</b>	-40°F to 300°F (-40°C to 150°C)

\*Note: Autoclave requires the addition of optional laminated safety glass lens

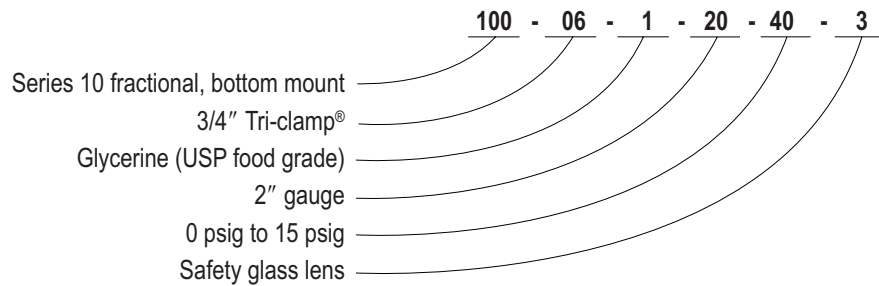
Diaphragm seal must be installed facing downward or in a vertical position for drainability. Do not install diaphragm seal facing in an upward position.

ORDERING INFORMATION						
SERIES	100	Series 10 fractional				
CLAMP SIZE	06	3/4 Inch				
SEAL FILL FLUID	1	Glycerine	Other Food Grade Quality Fill Fluids Available – Please Consult Factory			
GAUGE SIZE	20	2 Inch				
PRESSURE RANGE	40	0 psig to 15 psig	49	0 psig to 100 psig	61	0 psig to 300 psig
	43	0 psig to 30 psig	55	0 psig to 160 psig	64	0 psig to 400 psig
	46	0 psig to 60 psig	58	0 psig to 200 psig	70	0 psig to 600 psig
OPTION	3	Safety glass lens	Required for autoclave applications			

Please consult your local NOSHOK Distributor or NOSHOK, Inc. for availability and delivery information.

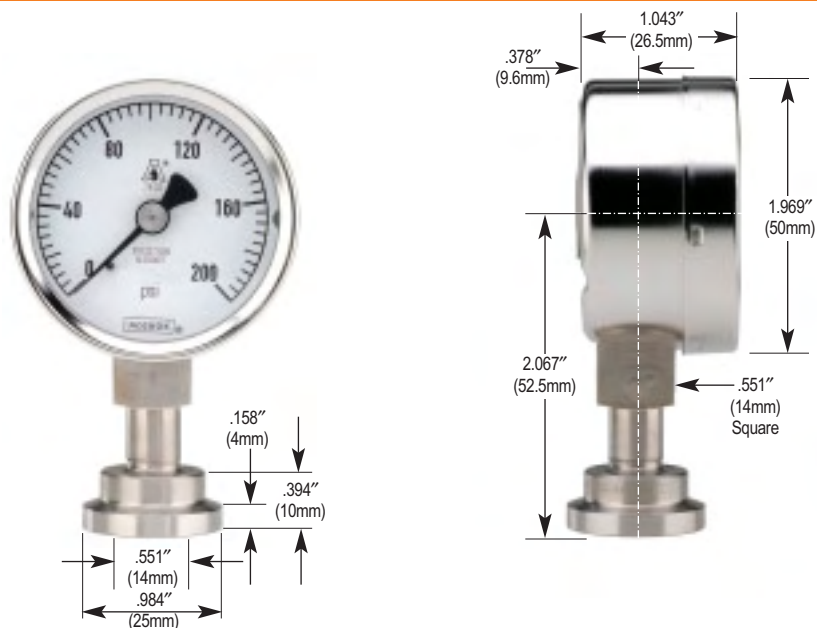
**EXAMPLE**

- Series**
- Clamp Size**
- Seal Fill Fluid**
- Gauge Size**
- Pressure Range**
- Option**



**OUTLINE DIMENSIONS**

**2" Gauge with 3/4" Tri-Clamp® Connection**





# 10 SERIES

- Meets current standards for 3A and ASME BPE-2009
- Ranges from -30 inHg to 0 psi through -30 inHg to 600 psi
- 2-1/2 and 4 inch sizes available, with 1-1/2 or 2 inch Tri-Clamp® process connections
- Electropolished 304 Stainless steel case with welded 316LSS socket and Tri-Clamp® process connection
- 316L Stainless steel wetted materials electropolished to Ra25 or better for outstanding performance
- Optional liquid filling lubricates gauge internals and extends service life by dampening the effects of vibration, pulsation and shock
- Optional Maximum Indicating Pointer or Adjustable Pointer
- Exceptional corrosion resistance
- C.I.P, S.I.P and Autoclave\* for the demanding needs of the sanitary market

\*Only dry case gauges are recommended for Autoclave

### APPLICATIONS

- Food & beverage
- Dairy
- Pharmaceutical

### SPECIFICATIONS

<b>Case</b>	Electropolished 304 Stainless steel
<b>Bayonet Ring</b>	Electropolished 304 Stainless steel
<b>Lens</b>	Laminated safety glass
<b>Bourdon Tube</b>	316 Stainless steel "C" tube
<b>Socket</b>	316L Stainless steel, welded to case & process connection
<b>Movement</b>	Stainless steel
<b>Accuracy</b>	2-1/2" gauge ±1.5% Full Scale, ANSI grade A 4" gauge ±1.0% Full Scale, ANSI grade 1A
<b>Pointer</b>	Balanced aluminum, black finish
<b>Dial</b>	Aluminum, white background, black print
<b>Gauge Fill Fluid</b>	Glycerine, USP grade (optional)
<b>Process Connection</b>	1-1/2" or 2" Tri-clamp® sanitary seal
<b>Seal Housing Material</b>	316L Stainless steel
<b>Diaphragm Material</b>	316L Stainless steel, electropolished to Ra25 or better
<b>Fill Fluid</b>	Glycerine, USP grade
<b>Media Temperature</b>	-40°F to 300°F (-40°C to 150°C)

Diaphragm seal must be installed facing downward or in a vertical position for drainability. Do not install diaphragm seal facing in an upward position.

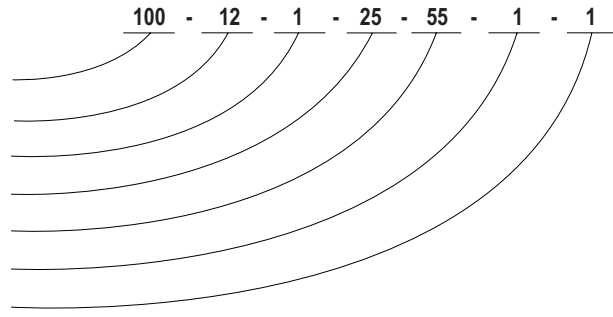
ORDERING INFORMATION				
<b>SERIES</b>	100 Series 10 heavy duty			
<b>CLAMP SIZE</b>	12 1-1/2 Inch	16 2 Inch		
<b>SEAL FILL FLUID</b>	1 Glycerine	Other Food Grade Quality Fill Fluids Available – Please Consult Factory		
<b>GAUGE SIZE</b>	25 2-1/2 Inch	40 4 Inch		
<b>PRESSURE RANGE</b>	01 -30 inHg to 0 psig*	13 -30 inHg to 100 psig	40 0 psig to 15 psig*	55 0 psig to 160 psig
	04 -30 inHg to 15 psig	16 -30 inHg to 160 psig	43 0 psig to 30 psig	58 0 psig to 200 psig
	07 -30 inHg to 30 psig	19 -30 inHg to 200 psig	46 0 psig to 60 psig	61 0 psig to 300 psig
	10 -30 inHg to 60 psig	22 -30 inHg to 300 psig	49 0 psig to 100 psig	64 0 psig to 400 psig
			70 0 psig to 600 psig	
<b>GAUGE FILL</b>	0 None	1 Glycerine (All Food Grade Quality Fill Fluids)	2 Silicone	3 Mineral oil
<b>GAUGE OPTIONS</b>	0 None	1 Max. indicating pointer	2 Adjustable pointer	

\* Not available on 4" gauge and 1-1/2" Tri-Clamp®

Please consult your local NOSHOK Distributor or NOSHOK, Inc. for availability and delivery information.

### EXAMPLE

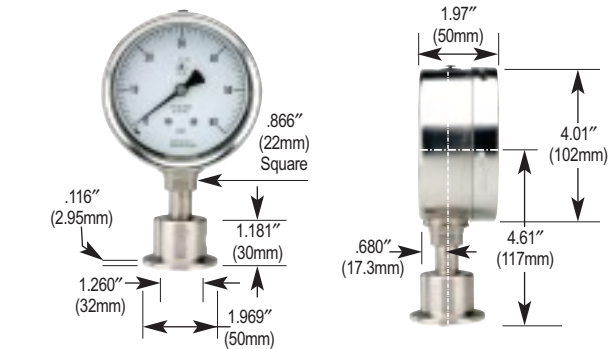
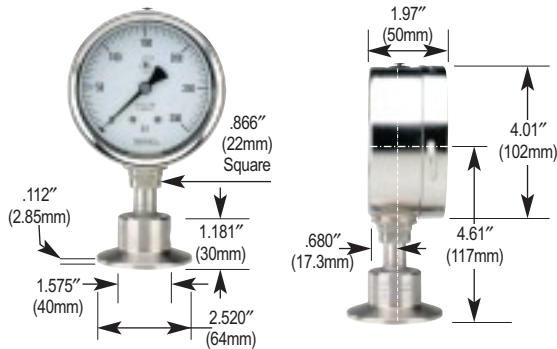
**Series** Series 10 sanitary gauge, bottom mount  
**Clamp Size** 1-1/2" Tri-clamp®  
**Seal Fill Fluid** Glycerine (USP food grade)  
**Gauge Size** 2-1/2" gauge  
**Pressure Range** 0 psig to 160 psig  
**Gauge Fill** Glycerine  
**Option** Maximum indicating pointer



### OUTLINE DIMENSIONS

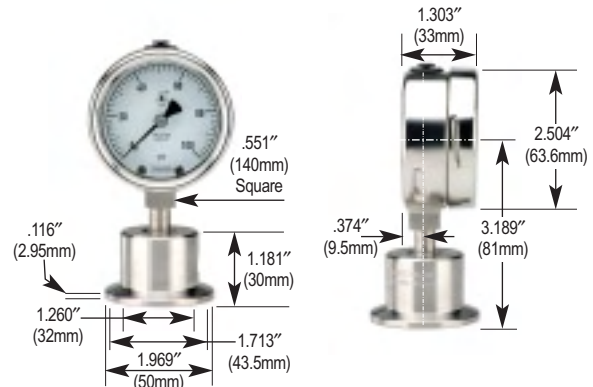
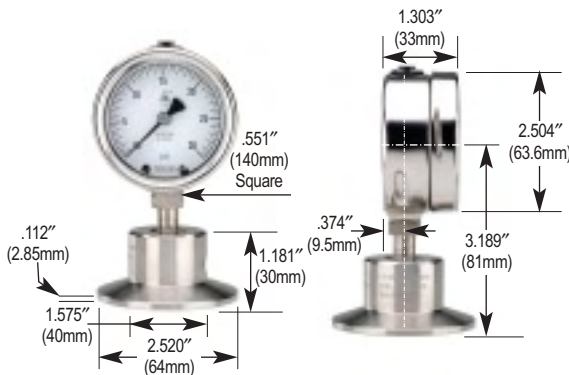
4" Gauge with 2" Tri-Clamp® Connection

4" Gauge with 1-1/2" Tri-Clamp® Connection



2-1/2" Gauge with 2" Tri-Clamp® Connection

2-1/2" Gauge with 1-1/2" Tri-Clamp® Connection





**Meets 3A requirements for the food & beverage, dairy, pharmaceutical and biotechnology industries in addition to ASME BPE-2009 and CE compliant.**

#### FEATURES

- Meets current 3A standards and ASME BPE-2009
- CE compliant
- Current or voltage output signals available to suit most applications
- NEMA 4X, IP65 (IEC529)
- Diffused semiconductor or sputtered thin film sensor for maximum stability
- Can be cleaned-in-place or steamed-in-place
- High accuracy and long term stability
- Integral cooling extension allows for higher media temperatures

## SERIES 11

### HIGH PERFORMANCE SANITARY PRESSURE TRANSMITTERS

The NOSHOK Series 11 Sanitary Pressure Transmitter is designed for heavy duty sanitary applications where high accuracy and durability are required. Using diffused semiconductor or sputtered thin film sensor technology these transducers are stable, accurate, shock resistant and extremely durable.

The housing is constructed of 316SS and welded to the process connection for greater strength and integrity. The available 1 1/2 inch or 2 inch Tri-Clamp® connection, with its integral cooling extension, is 316L stainless steel and wetted parts are electro-polished to Ra25 microinch or better.

NOSHOK Series 11 Sanitary Transmitters meet 3A requirements for the food & beverage, dairy, pharmaceutical and biotechnology industries in addition to ASME BPE-2009 and CE compliant.

A final electrical output and calibration inspection is performed on all NOSHOK transmitters prior to shipment to ensure 100% “out-of-the-box” reliability.

#### SPECIFICATIONS

<b>Output Signals</b>	4mA to 20mA 2-wire, 0Vdc to 5Vdc 3-wire, 1Vdc to 5Vdc 3-wire, 1Vdc to 6Vdc 3-wire, 0Vdc to 10Vdc, 3-wire, 1Vdc to 11Vdc 3-wire
<b>Pressure Ranges</b>	Standard gauge ranges from vacuum to 400 psig
<b>Proof Pressure</b>	3 times Full Scale for ranges 0 psig to 2 psig through 0 psig to 200 psig 1.75 times Full Scale for ranges 0 psig to 300 psig through 0 psig to 400 psig
<b>Burst Pressure</b>	3.8 times Full Scale for ranges 0 psig to 2 psig through 0 psig to 200 psig 4 times Full Scale for ranges 0 psig to 300 psig through 0 psig to 400 psig
<b>Accuracy</b>	±0.25% Full Scale (B.F.S.L); Optional ±0.125% Full Scale (BFSL); (Includes the effects of non-linearity, hysteresis, non-repeatability, zero point and full scale errors)
<b>Repeatability</b>	±0.05% Full Scale
<b>Hysteresis</b>	±0.1% Full Scale
<b>Stability</b>	±0.2% Full Scale for 1 year, non accumulating
<b>Power Supply</b>	10Vdc to 30Vdc for current output 14Vdc to 30Vdc for voltage output, unregulated
<b>Load limitations</b>	≤ (VPower -10)/0.020 Amp for 4 mA to 20 mA output ≤ 5,000 Ω for 1 Vdc to 5 Vdc output ≤ 10,000 Ω for 0 Vdc to 10 Vdc output ≤ 4,500 Ω for 0.5 Vdc to 4.5 Vdc output
<b>Case Materials</b>	316 stainless steel
<b>Temperature Ranges</b>	Compensated 32°F to 175°F (0°C to 80°C) Effect ±0.01%/°F for zero and span Ambient -40°F to 176°F (-40°C to 80°C)
<b>Adjustment</b>	±10% Full Scale for zero and span
<b>Environment Protection</b>	NEMA 4X, IP65 (IEC 529)
<b>Electromagnetic Rating</b>	CE compliant to EMC norm EN61326: 1997/A1: 1998 RFI, EMI, ESD protection
<b>Electrical Protection</b>	Reverse polarity, overvoltage and short circuit protection
<b>Process Connection</b>	1 1/2 inch or 2 inch Tri-Clamp®
<b>Seal Housing Material</b>	316L stainless steel
<b>Diaphragm Material</b>	316L stainless steel electropolished to Ra25 or better
<b>Fill Fluid</b>	White Oil (FLL 77), USP grade
<b>Media Temperature</b>	-40°F to 300°F (-40°C to 150°C)

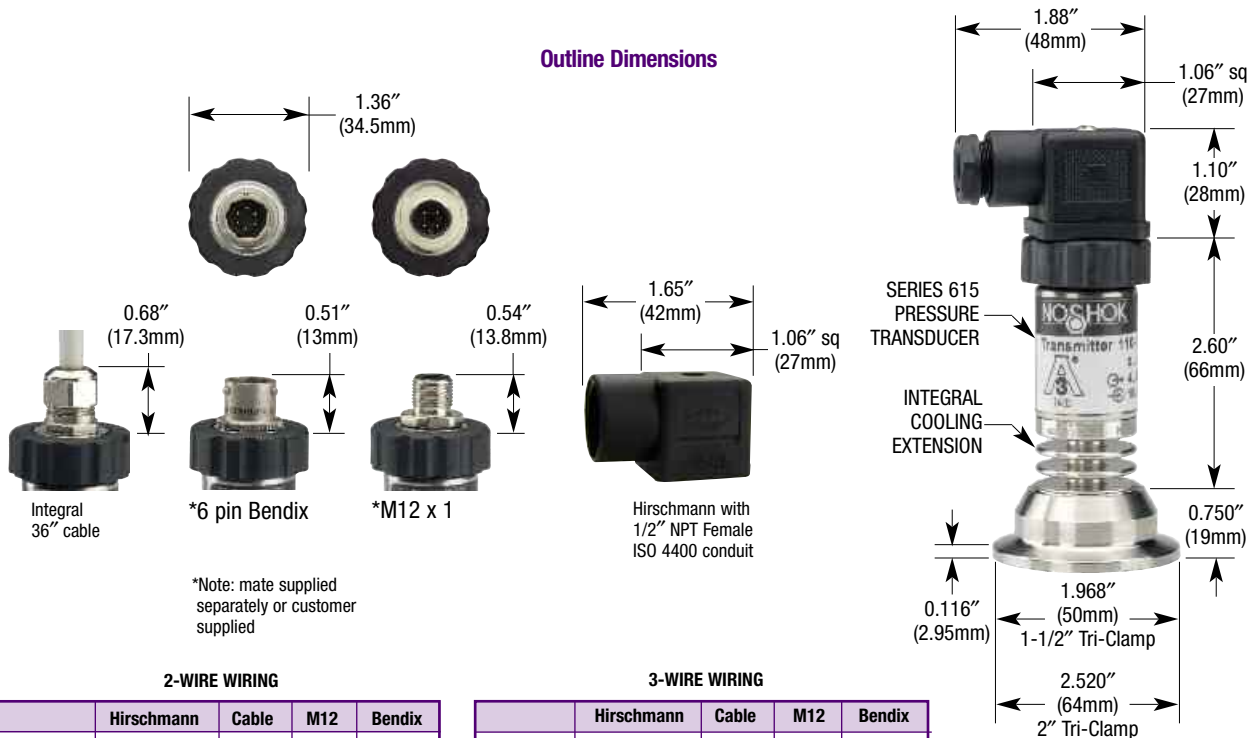
ORDERING INFORMATION					
<b>SERIES 11</b>	<b>110</b>				
<b>CLAMP SIZE</b>	<b>12</b> 1 1/2 Inch	<b>16</b> 2 Inch			
<b>SEAL FILL FLUID</b>	<b>4</b> FFL77 White Oil	<b>Other Food Grade Quality Fill Fluids Available - Please Consult Factory</b>			
<b>TRANSMITTER</b>	<b>615</b> Series 615 Transmitter				
<b>ACCURACY</b>	<b>1</b> ±0.25% Full Scale (BFSL)	<b>2</b> ±0.125% Full Scale			
<b>PRESSURE RANGE</b>	-30 inHg to 0 psig <b>01</b>	-30 inHg to 150 psig <b>16</b>	0 psig to 10 psig <b>37</b>	0 psig to 150 psig <b>52</b>	
	-30 inHg to 15 psig <b>04</b>	-30 inHg to 200 psig <b>19</b>	0 psig to 15 psig <b>40</b>	0 psig to 200 psig <b>58</b>	
	-30 inHg to 30 psig <b>07</b>	-30 inHg to 300 psig <b>22</b>	0 psig to 30 psig <b>43</b>	0 psig to 300 psig <b>61</b>	
	-30 inHg to 60 psig <b>10</b>	0 psig to 100 inH <sub>2</sub> O <b>31</b>	0 psig to 60 psig <b>46</b>	0 psig to 400 psig <b>64</b>	
	-30 inHg to 100 psig <b>13</b>	0 psig to 5 psig <b>34</b>	0 psig to 100 psig <b>49</b>		
<b>OUTPUT SIGNALS</b>	<b>1</b> 4 mA to 20 mA, 2-wire	<b>2</b> 0 Vdc to 5 Vdc, 3-wire	<b>3</b> 1 Vdc to 5 Vdc, 3-wire		
	<b>4</b> 1 Vdc to 6 Vdc, 3-wire	<b>5</b> 0 Vdc to 10 Vdc, 3-wire	<b>6</b> 1 Vdc to 11 Vdc, 3-wire		
<b>ELECTRICAL CONNECTION</b>	<b>1</b> 36" cable attached to Hirschmann	<b>14</b> Hirschmann connection with ISO 4400 1/2 inch NPT conduit			
	<b>3</b> 6-pin Bendix	<b>25</b> M12 X 1 4-pin			
	<b>8</b> Hirschmann (DIN EN 175301-803 Form A)	<b>36</b> Integral 36" Cable			

**EXAMPLE**

Series .....Series 11 Sanitary Transmitter  
 Clamp Size .....1 1/2" Tri-Clamp®  
 Seal Fill Fluid .....White oil  
 Transmitter .....615 Series  
 Accuracy .....±0.25% Full Scale  
 Pressure Range .....0 psig to 5 psig  
 Output Signal .....4 mA to 20 mA, 2-wire  
 Electrical Connection .....Hirschmann with 3 feet of cable

**110 - 12 - 4 - 615 - 1 - 34 - 1 - 1**

**Outline Dimensions**



\*Note: mate supplied separately or customer supplied

**2-WIRE WIRING**

	Hirschmann	Cable	M12	Bendix
+ Supply	1	Red	1	A
+ Output	2	Black	3	B

**3-WIRE WIRING**

	Hirschmann	Cable	M12	Bendix
+ Supply	1	Red	1	A
Common	2	Black	3	B
+ Output	3	White	4	C



## 20 SERIES

- Meets current standards for 3A and ASME BPE-2009
- Ranges from 1,000 psi to 15,000 psi
- Process temperatures up to 300°F for use in more applications
- 4 inch size with 1-1/8 inch flanged process connection
- Electropolished 304 Stainless steel case with welded 316L Stainless steel socket and process connection for greater performance in high pressure applications
- 316L Stainless steel wetted materials electropolished to Ra25 or better
- Scratch-resistant laminated safety glass provides clear viewing without discoloring
- Optional liquid filling lubricates gauge internals and extends service life by dampening the effects of vibration, pulsation and shock
- C.I.P, S.I.P and Autoclave\* for the demanding needs of the sanitary market

\*Only dry case gauges are recommended for Autoclave

### APPLICATIONS

- High pressure applications in:
  - Dairy
  - Food
  - Chemical
  - Biotechnology
  - Pharmaceutical

### SPECIFICATIONS

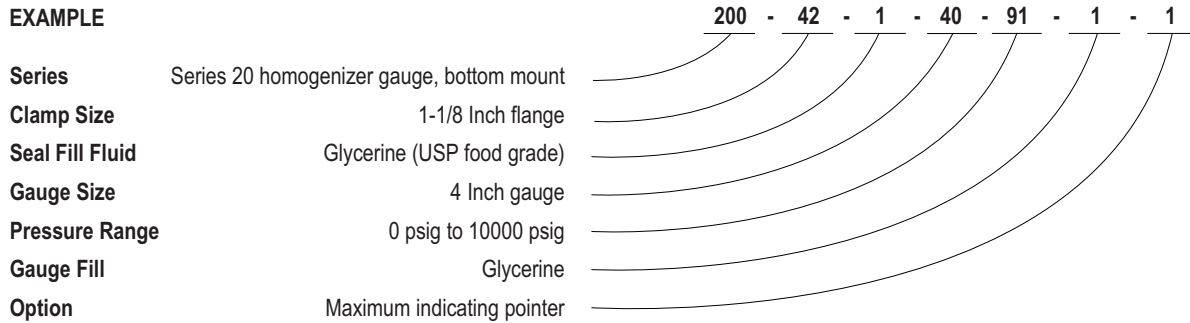
<b>Case</b>	Electropolished 304 Stainless steel
<b>Bayonet Ring</b>	Electropolished 304 Stainless steel
<b>Lens</b>	Laminated safety glass
<b>Bourdon Tube</b>	316 Stainless steel coiled safety tube
<b>Socket</b>	316L Stainless steel, welded to case & process connection
<b>Movement</b>	Stainless steel
<b>Accuracy</b>	±1.0% Full Scale, ANSI grade 1A
<b>Pointer</b>	Balanced aluminum, black finish
<b>Dial</b>	Aluminum, white background, black print
<b>Gauge Fill Fluid</b>	Glycerine, USP grade
<b>Mounting</b>	Flange mounted
<b>Process Connection</b>	1-1/8" Homogenizer flange
<b>Seal Housing Material</b>	316L Stainless steel
<b>Diaphragm Material</b>	316L Stainless steel, electropolished to Ra25 or better
<b>Fill Fluid</b>	Glycerine, USP grade
<b>Media Temperature</b>	-40°F to 300°F (-40°C to 150°C)

Diaphragm seal must be installed facing downward or in a vertical position for drainability. Do not install diaphragm seal facing in an upward position.

ORDERING INFORMATION								
<b>SERIES</b>	200	Series 20 homogenizer						
<b>CLAMP SIZE</b>	42	1-1/8 Inch flange						
<b>SEAL FILL FLUID</b>	1	Glycerine	Other Food Grade Quality Fill Fluids Available– Please Consult Factory					
<b>GAUGE SIZE</b>	40	4 Inch						
<b>PRESSURE RANGE</b>	73	0 psig to 1000 psig	79	0 psig to 2000 psig	85	0 psig to 5000 psig	91	0 psig to 10000 psig
	76	0 psig to 1500 psig	82	0 psig to 3000 psig	88	0 psig to 6000 psig	94	0 psig to 15000 psig
<b>GAUGE FILL</b>	0	None	1	Glycerine	2	Silicone	3	Mineral oil
	(All Food Grade Quality Fill Fluids)							
<b>GAUGE OPTIONS</b>	0	None	1	Max. indicating pointer	2	Adjustable pointer		

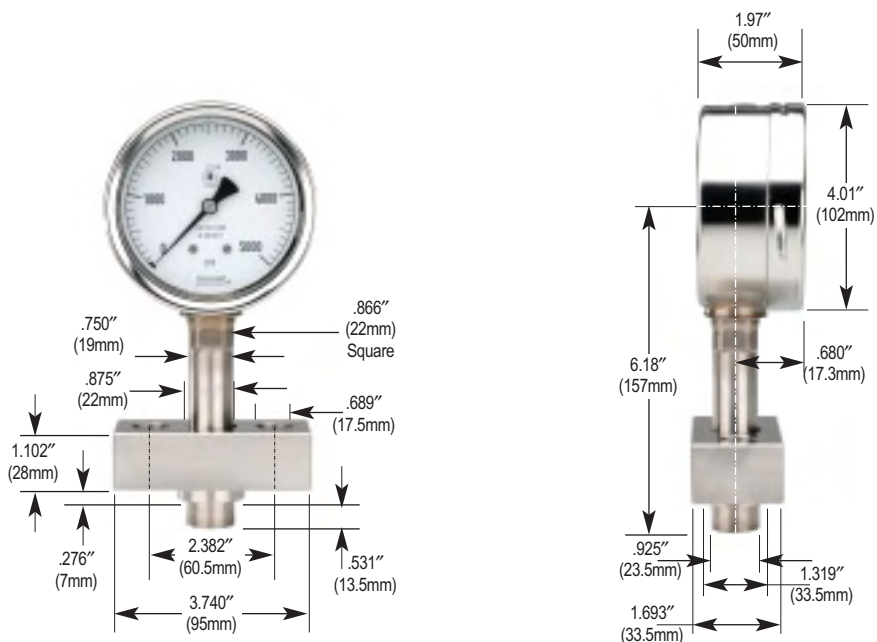
Please consult your local NOSHOK Distributor or NOSHOK, Inc. for availability and delivery information.

### EXAMPLE



### OUTLINE DIMENSIONS

#### 4" Gauge with 1-1/8" Homogenizer Flange



(Custom Flange Dimensions are Available to your Specifications – Please Consult Factory)





Meets 3A requirements for the food & beverage, dairy, pharmaceutical and biotechnology industries in addition to ASME BPE-2009 and CE compliant.

#### FEATURES

- Meets current 3A standards and ASME BPE-2009
- CE compliant
- Current or voltage output signals available to suit most applications
- Span and zero adjustments
- NEMA 4X, IP65 (IEC529)
- Sputtered thin film sensor for maximum stability and shock resistance
- Ranges from 1000 psig to 15000 psig
- High accuracy and long term stability
- Can be cleaned-in-place or steamed-in-place

## SERIES 21

### HIGH PERFORMANCE HOMOGENIZER TRANSMITTERS

The NOSHOK Series 21 Homogenizer Pressure Transmitter is a high accuracy, heavy duty pressure transmitter designed for the demanding requirements found in high pressure sanitary homogenizer applications. Using proven sputtered thin film sensor technology these transducers are stable, highly accurate, shock resistant and extremely durable.

The NOSHOK Series 21 is offered in a variety of Current or Voltage output signals and is constructed of 316SS. The housing is welded to the 316L stainless steel process connection for greater strength and durability while providing exceptional corrosion resistance. Wetted parts are electro polished to Ra25 or better providing a cleaner, more sanitary surface.

NOSHOK Series 21 homogenizer transmitters meet the current standards for 3A and ASME BPE-2009 in addition to being CE compliant. A final electrical output and calibration inspection is performed on all NOSHOK transmitters prior to shipment to ensure 100% “out-of-the-box” reliability.

### SPECIFICATIONS

<b>Output Signals</b>	4mA to 20mA 2-wire, 0Vdc to 5Vdc 3-wire, 1Vdc to 5Vdc 3-wire, 1Vdc to 6Vdc 3-wire, 0Vdc to 10Vdc, 3-wire, 1Vdc to 11Vdc 3-wire
<b>Pressure Ranges</b>	Standard gauge ranges from 1000 psig to 15000 psig
<b>Proof Pressure</b>	1.75 times full scale for ranges 0 psig to 300 psig through 0 psig to 10000 psig 1.5 times full scale for ranges 0 psig to 15000 psig
<b>Burst Pressure</b>	4 times Full Scale for ranges 0 psig to 300 psig through 0 psig to 10000 psig 3 times full scale for ranges 0 psig to 15000 psig
<b>Accuracy</b>	±0.25% Full Scale (B.F.S.L.); Optional ±0.125% Full Scale (BFSL); (Includes the effects of non-linearity, hysteresis, non-repeatability, zero point and full scale errors)
<b>Repeatability</b>	≤±0.05% Full Scale
<b>Hysteresis</b>	≤±0.1% Full Scale
<b>Stability</b>	≤±0.2% Full Scale for 1 year, non accumulating
<b>Power Supply</b>	10Vdc to 30Vdc for current output, unregulated 14Vdc to 30Vdc for voltage output, unregulated
<b>Power Supply</b>	≤ (VPower - 10)/0.020 Amp for 4 mA to 20 mA output ≤ 5,000 Ω for 1 Vdc to 5 Vdc output ≤ 10,000 Ω for 0 Vdc to 10 Vdc output ≤ 4,500 Ω for 0.5 Vdc to 4.5 Vdc output
<b>Housing Materials</b>	316 stainless steel
<b>Load limitations</b>	≤ (VPower - 10)/0.020 Amp for 4 mA to 20 mA output ≤ 5,000 Ω for 1 Vdc to 5 Vdc output ≤ 10,000 Ω for 0 Vdc to 10 Vdc output ≤ 4,500 Ω for 0.5 Vdc to 4.5 Vdc output
<b>Temperature Ranges</b>	Compensated 32°F to 175°F (0°C to 80°C) Effect ±0.01%/°F for zero and span Ambient -40°F to 176°F (-40°C to 80°C)
<b>Adjustment</b>	±10% Full Scale for zero and span
<b>Environment Protection</b>	NEMA 4X, IP65 (IEC 529)
<b>Electromagnetic Rating</b>	CE compliant to EMC norm EN61326: 1997/A1: 1998 RFI, EMI, ESD protection
<b>Electrical Protection</b>	Reverse polarity, overvoltage and short circuit protection
<b>Process Connection</b>	1 1/8 inch Homogenizer Flange
<b>Seal Housing Material</b>	316L stainless steel
<b>Diaphragm Material</b>	316L stainless steel electropolished to Ra25 or better
<b>Fill Fluid</b>	White Oil (FFL 77), USP grade
<b>Media Temperature</b>	-40°F to 300°F (-40°C to 150°C)

ORDERING INFORMATION								
<b>SERIES 21</b>	<b>210</b>							
<b>CLAMP SIZE</b>	<b>42</b> 1 1/8 Inch Flange							
<b>SEAL FILL FLUID</b>	<b>4</b> FFL77 White Oil <b>(Other Fill Fluids Available - Please Consult Factory)</b>							
<b>TRANSMITTER</b>	<b>615</b> Series 615 Transmitter							
<b>ACCURACY</b>	<b>1</b> ±0.25% Full Scale (BFSL)		<b>2</b> ±0.125% (BFSL)					
<b>PRESSURE RANGE</b>	0 psig to 1000 psig	<b>73</b>	0 psig to 2000 psig	<b>79</b>	0 psig to 5000 psig	<b>85</b>	0 psig to 10000 psig	<b>91</b>
	0 psig to 1500 psig	<b>76</b>	0 psig to 3000 psig	<b>82</b>	0 psig to 6000 psig	<b>88</b>	0 psig to 15000 psig	<b>94</b>
<b>OUTPUT SIGNAL</b>	<b>1</b> 4 mA to 20 mA, 2-wire		<b>3</b> 1 Vdc to 5 Vdc, 3-wire		<b>5</b> 0 Vdc to 10 Vdc, 3-wire			
	<b>2</b> 0 Vdc to 5 Vdc, 3-wire		<b>4</b> 1 Vdc to 6 Vdc, 3-wire		<b>6</b> 1 Vdc to 11 Vdc, 3-wire			
<b>ELECTRICAL CONNECTION</b>	<b>1</b> 36 " cable attached to Hirschmann		<b>14</b> Hirschmann connection with ISO 4400 1/2 inch NPT conduit					
	<b>3</b> 6-Pin Bendix		<b>25</b> M12 X 1 4-pin					
	<b>8</b> Hirschmann (DIN EN 175301-803 Form A)		<b>36</b> Integral 36 " cable					

EXAMPLE

**210 - 42 - 4 - 615 - 1 - 85 - 1 - 8**

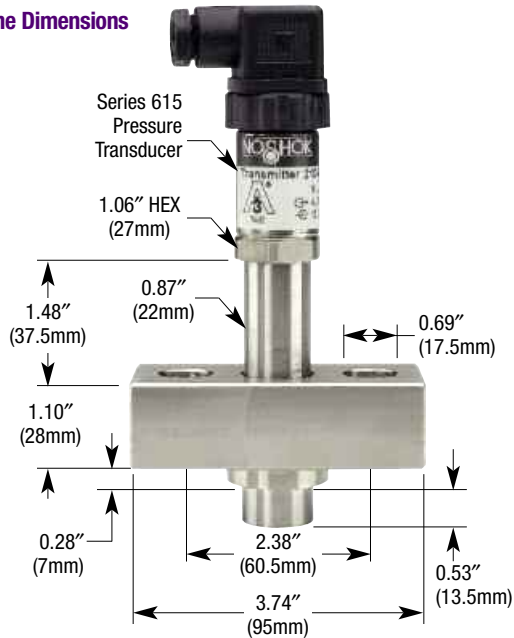
Series ..... Series 21 homogenizer transmitter  
 Clamp Size ..... 1 1/8 " homogenizer flange  
 Seal Fill Fluid ..... White oil  
 Transmitter ..... 615 Series  
 Accuracy ..... ±0.25% Full Scale  
 Pressure Range ..... 0 psig to 5000 psig  
 Output Signal ..... 4 mA to 20 mA, 2-wire  
 Electrical Connection ..... Hirschmann (DIN EN 175301-803 Form A)



2-WIRE WIRING

	Hirschmann	Cable	M12	Bendix
+ Supply	1	Red	1	A
+ Output	2	Black	3	B

Outline Dimensions



3-WIRE WIRING

	Hirschmann	Cable	M12	Bendix
+ Supply	1	Red	1	A
Common	2	Black	3	B
+ Output	3	White	4	C

(Custom Flange Dimensions To Your Specification - Please Consult Factory)